

# Unispacers, Keyed Mounting Templates and Ram Plates

## Unispacers

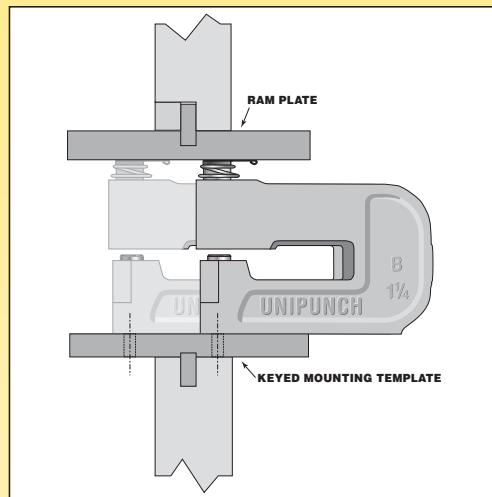
- Unispacers fit into the recess in the 5000 & 5100 Bed Rails for punching holes in prototype parts. The second hole in the Unispacer aligns units for shaped hole punching.
- For staggered hole patterns, Unispacers are turned over and unit pilot pins are inserted in the slot.

UNISPACERS	
Part No.	For Use With Units
5060	Up to 1" wide
5061	1 ¼" to 2" wide
5062	2 ¼" to 3" wide
5067	3 ½" wide
5069	4" wide
5064	5 x 5 Notching Units



## Keyed Mounting Templates — Used to support and position UniPunch modular tooling and gauges within a press brake.

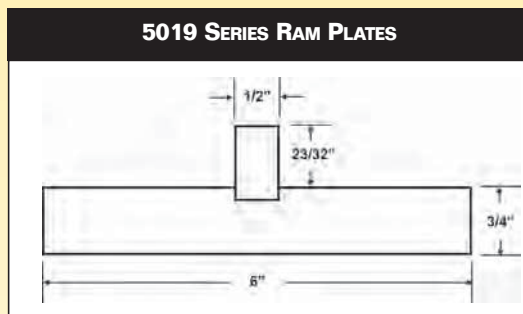
- Typically made from ¾" (19mm) HRS. CRS or Aluminum are made upon request. Other template thicknesses are available upon request.
- Drilled and reamed holes are in precise locations of the part to be punched.
- For pricing of all templates, contact the UniPunch Sales Department.



**Keyed Mounting Templates are supplied with press brake key in bottom.**

MOUNTING

## Ram Plates — Provide additional ram area for staggered hole patterns.



5019 SERIES RAM PLATES		
Part No.	Length	Weight
5019-24	24"	33 lbs.
5019-48	48"	66 lbs.
5019-72	72"	96 lbs.
5019-96	96"	128 lbs.
5019-120	120"	160 lbs.
5019-144	144"	192 lbs.

**For custom designed Ram Plates, contact the UniPunch Sales Department.**