

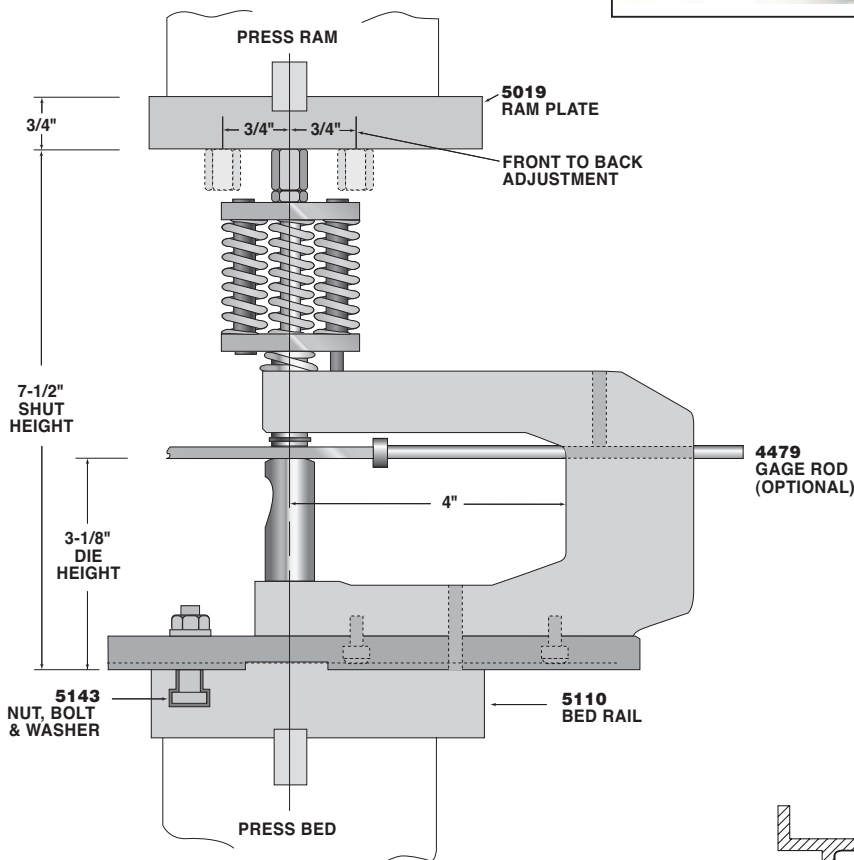
PRESS BRAKE MOUNTING ACCESSORIES FOR ALL G SERIES UNITS

RAM PLATE (6" WIDE X 3/4" THICK)			BED RAIL G SERIES		
Part No.	Length	Shipping Weight	Part No.	Length	Shipping Weight
5019-24	24"	33 lbs.	5110-48	48"	92 lbs.
5019-48	48"	56 lbs.	5110-72	72"	138 lbs.
5019-72	72"	84 lbs.	5110-96	96"	184 lbs.
5019-96	96"	112 lbs.	5110-120	120"	230 lbs.
5019-120	120"	140 lbs.	5110-144	144"	276 lbs.
5019-144	144"	168 lbs.			



Triple Spring Unit Press Brake mounting method shown

Single spring unit mounted in the same method and operates at 6 1/4" shut height.



The G series units are mounted to the UniPunch 5110 bed rail with either the fixed base or the adjustable base. The fixed base is designed for straight line punching. The adjustable base allows 3/4" adjustment front to back (a total of 1 1/2").

TYPICAL SPECIAL DIE
Made to suit customer requirements

NUT, BOLT AND WASHER SET

Part No.
5143

END GAUGE ASSEMBLY

Part No.
5085



Adjustable End Stop has an adjustment screw for quick compensation for various work piece sizes.

